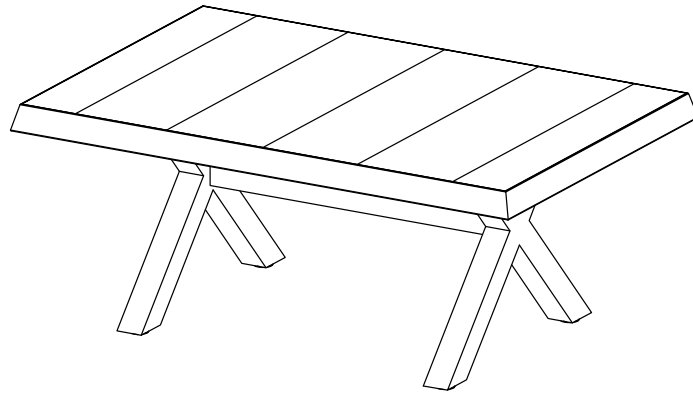


Parsons Outdoor Lounge – Coffee Table

Assembly Instructions



IMPORTANT: Please read these assembly instructions carefully before beginning assembly. Retain for future reference. CAUTION: This product is heavy. Assemble with the assistance of another adult. Do not assemble in the presence of children.

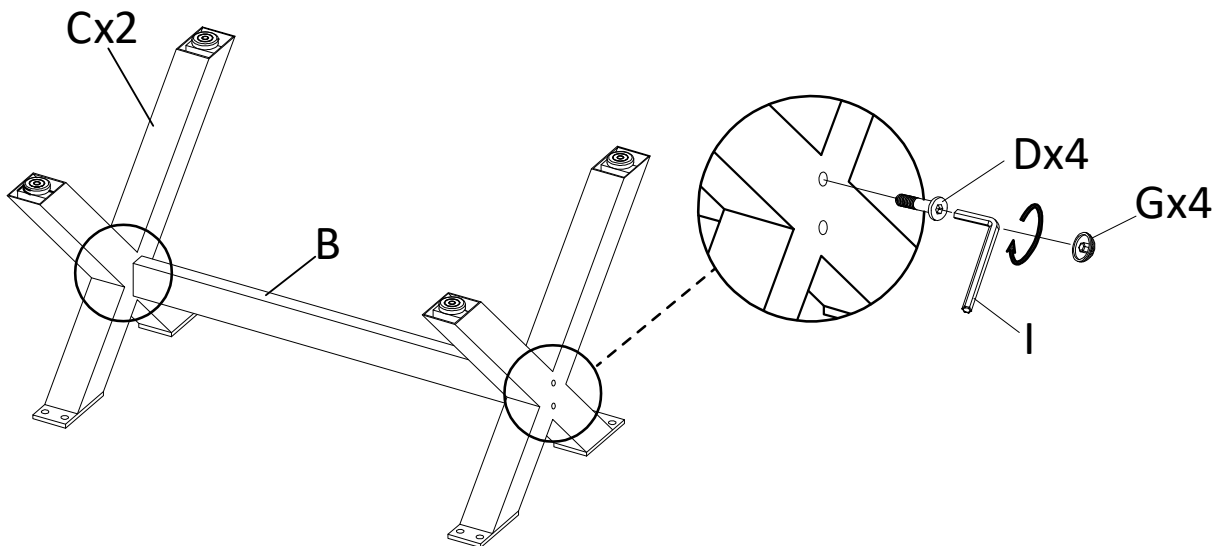


A (x1)	B (x1)	C (x2)	D (x4)	E (x8)	F (x8)	G (x4)	H (x1)	I (x1)

Insert all bolts and loosely finger tighten first. Once all bolts are in place, re-visit each bolt and fully tighten with the provided tool(s). Do not fully tighten bolts one by one.

- PLEASE SEPARATE AND IDENTIFY ALL PARTS, MAKING SURE THAT YOU HAVE ALL OF THE PARTS LISTED.
- TO AVOID ANY SCRATCHES DURING ASSEMBLY, PLEASE ASSEMBLE ON A SOFT MAT OR SIMILAR.
- PLEASE ASSEMBLE STEP BY STEP AND FOLLOW THE INSTRUCTIONS.
- WASHERS MUST BE USED WHERE SUPPLIED.
- WHILE EACH BOLT AND NUT IS PROPERLY FASTENED, DO NOT OVER FASTEN IT.
- DO NOT COMPLETELY FASTEN EACH BOLT AND NUT UNTIL ALL THE BOLTS ARE PROPERLY FIXED.

1. Assemble the table legs (C) to the support beam (B) using the M8 bolts (D) and finish by pressing an end cap (G) over each of the fastened bolts.



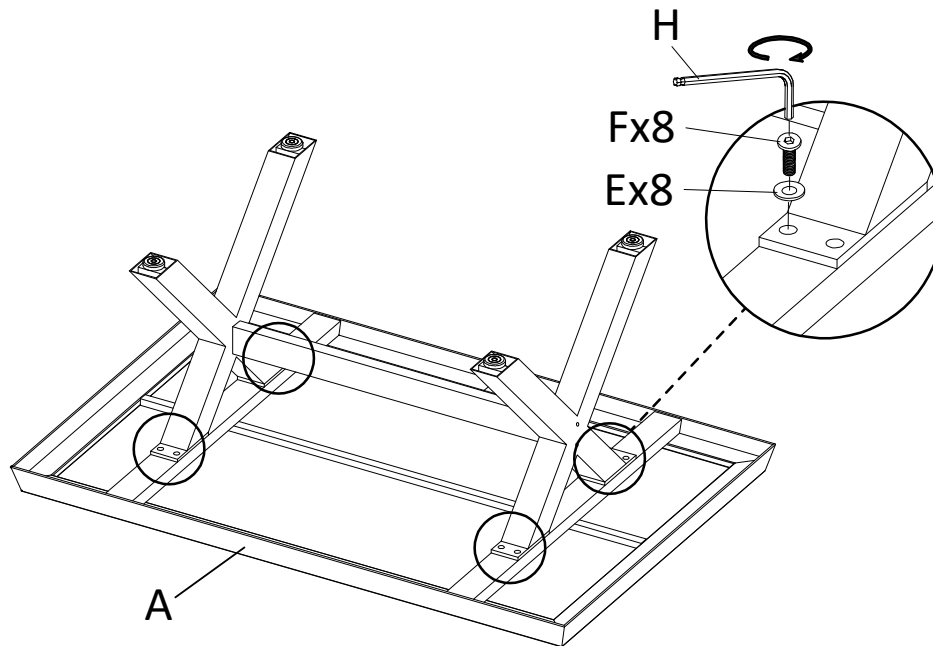
(continued next page)

Parsons Outdoor Lounge – Coffee Table

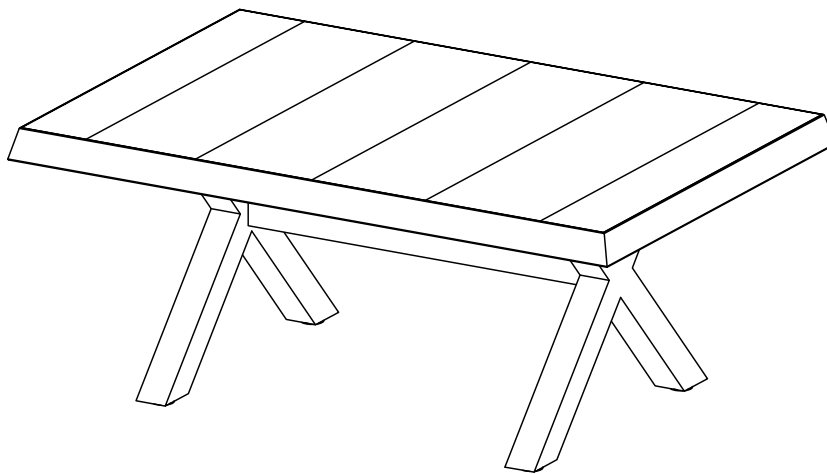
Assembly Instructions



- Using two adults, carefully turn the table top (A) over onto a soft, non-marking surface. Attach the table legs assembled in Step 1 to the underside of the table top using the remaining 8 bolts (F) with a washer (E) each.



- Again using two adults, carefully turn the completed table upright and lift into position (do not drag).



For care and maintenance tips please visit: [synargy.com/product-care](https://www.synargy.com/product-care)